

Interstate 74 Challenge - January 14-15, 2012

Hosted by Eastside VBC; Prime Time VBC; Illini Elite VBC

Held at Peoria River Plex & Illini Elite Training Center

Round 1 - Saturday, January 14, 2012

16U Pool Play

OVER ALL RECORDS FOR POOL 6DIP1

Team	Code MATCH'S GAMES POINTS		
		Won	Lost	Tie	Pctg	Won	Lost	Pctg	For	Against	Pctg
PTVBC 16-BLUE		3	0		100.00%	6	0	100.00%	150	89	62.76%
IEVBC 16-BLUE		1	2		33.33%	2	5	28.57%	131	155	45.80%
ESVBC 16-SILVER		1	2		33.33%	3	4	42.86%	134	157	46.05%
IEVBC 15-NAVY		1	2		33.33%	2	4	33.33%	129	143	47.43%

Team	MATCH'S	Game 1			Game 2			Game 3			Offense	Defense	Diff +/-	Diff Tot.
		Won	Lost	Tie	Won	Lost	Tie	Won	Lost	Tie				
PTVBC 16-BLUE	X IEVBC 16-BLUE	25	-	20	, 25	-	8	, -		50	28	22		
PTVBC 16-BLUE	X ESVBC 16-SILVER	25	-	12	, 25	-	15	, -		50	27	23		
PTVBC 16-BLUE	X IEVBC 15-NAVY	25	-	14	, 25	-	20	, -		50	34	16	61	
IEVBC 16-BLUE	X PTVBC 16-BLUE	20	-	25	, 8	-	25	, -		28	50	-22		
IEVBC 16-BLUE	X ESVBC 16-SILVER	25	-	18	, 22	-	25	, 15	-	62	55	7		
IEVBC 16-BLUE	X IEVBC 15-NAVY	18	-	25	, 23	-	25	, -		41	50	-9	-24	
ESVBC 16-SILVER	X PTVBC 16-BLUE	12	-	25	, 15	-	25	, -		27	50	-23		
ESVBC 16-SILVER	X IEVBC 16-BLUE	18	-	25	, 25	-	22	, 12	-	55	62	-7		
ESVBC 16-SILVER	X IEVBC 15-NAVY	25	-	20	, 27	-	25	, -		52	45	7	-23	
IEVBC 15-NAVY	X PTVBC 16-BLUE	14	-	25	, 20	-	25	, -		34	50	-16		
IEVBC 15-NAVY	X IEVBC 16-BLUE	25	-	18	, 25	-	23	, -		50	41	9		
IEVBC 15-NAVY	X ESVBC 16-SILVER	20	-	25	, 25	-	27	, -		45	52	-7	-14	

OVER ALL RECORDS FOR POOL 6DIP2

Team	Code MATCH'S GAMES POINTS		
		Won	Lost	Tie	Pctg	Won	Lost	Pctg	For	Against	Pctg
ESVBC 16-RED		1	2		33.33%	3	5	37.50%	153	162	48.57%
PTVBC 16-ORANGE		3	0		100.00%	6	1	85.71%	167	145	53.53%
IEVBC 16-NAVY		2	1		66.67%	4	3	57.14%	157	154	50.48%
IEVBC 15-RED		0	3		0.00%	2	6	25.00%	156	172	47.56%

..... MATCH'S		Game 1		Game 2		Game 3		Offense	Defense	Diff +/-	Diff Tot.
ESVBC 16-RED	X PTVBC 16-ORANGE	16	- 25	, 16	- 25	, -	-	32	50	-18	
ESVBC 16-RED	X IEVBC 16-NAVY	23	- 25	, 25	- 16	, 13	- 15	61	56	5	
ESVBC 16-RED	X IEVBC 15-RED	25	- 19	, 20	- 25	, 15	- 12	60	56	4	-9
PTVBC 16-ORANGE	X ESVBC 16-RED	25	- 16	, 25	- 16	, -	-	50	32	18	
PTVBC 16-ORANGE	X IEVBC 16-NAVY	25	- 23	, 30	- 28	, -	-	55	51	4	
PTVBC 16-ORANGE	X IEVBC 15-RED	27	- 25	, 20	- 25	, 15	- 12	62	62	0	22
IEVBC 16-NAVY	X ESVBC 16-RED	25	- 23	, 16	- 25	, 15	- 13	56	61	-5	
IEVBC 16-NAVY	X PTVBC 16-ORANGE	23	- 25	, 28	- 30	, -	-	51	55	-4	
IEVBC 16-NAVY	X IEVBC 15-RED	25	- 22	, 25	- 16	, -	-	50	38	12	3
IEVBC 15-RED	X ESVBC 16-RED	19	- 25	, 25	- 20	, 12	- 15	56	60	-4	
IEVBC 15-RED	X PTVBC 16-ORANGE	25	- 27	, 25	- 20	, 12	- 15	62	62	0	
IEVBC 15-RED	X IEVBC 16-NAVY	22	- 25	, 16	- 25	, -	-	38	50	-12	-16

OVER ALL RECORDS FOR POOL 6DIP3

Team	Code MATCH'S GAMES POINTS		
		Won	Lost	Tie	Pctg	Won	Lost	Pctg	For	Against	Pctg
IEVBC 16-RED		2	1		66.67%	5	3	62.50%	166	156	51.55%
PTVBC 15-BLUE		3	0		100.00%	6	1	85.71%	154	128	54.61%
PTVBC 15-ORANGE		1	2		33.33%	2	4	33.33%	136	152	47.22%
ESVBC 16-ORANGE		0	3		0.00%	1	6	14.29%	135	155	46.55%

..... MATCH'S		Game 1		Game 2		Game 3		Offense	Defense	Diff +/-	Diff Tot.
IEVBC 16-RED	X PTVBC 15-BLUE	25	- 14	, 18	- 25	, 13	- 15	56	54	2	
IEVBC 16-RED	X PTVBC 15-ORANGE	32	- 30	, 25	- 19	, -	-	57	49	8	
IEVBC 16-RED	X ESVBC 16-ORANGE	25	- 15	, 13	- 25	, 15	- 13	53	53	0	10
PTVBC 15-BLUE	X IEVBC 16-RED	14	- 25	, 25	- 18	, 15	- 13	54	56	-2	
PTVBC 15-BLUE	X PTVBC 15-ORANGE	25	- 20	, 25	- 15	, -	-	50	35	15	
PTVBC 15-BLUE	X ESVBC 16-ORANGE	25	- 22	, 25	- 15	, -	-	50	37	13	26
PTVBC 15-ORANGE	X IEVBC 16-RED	30	- 32	, 19	- 25	, -	-	49	57	-8	
PTVBC 15-ORANGE	X PTVBC 15-BLUE	20	- 25	, 15	- 25	, -	-	35	50	-15	
PTVBC 15-ORANGE	X ESVBC 16-ORANGE	25	- 20	, 27	- 25	, -	-	52	45	7	-16
ESVBC 16-ORANGE	X IEVBC 16-RED	15	- 25	, 25	- 13	, 13	- 15	53	53	0	
ESVBC 16-ORANGE	X PTVBC 15-BLUE	22	- 25	, 15	- 25	, -	-	37	50	-13	
ESVBC 16-ORANGE	X PTVBC 15-ORANGE	20	- 25	, 25	- 27	, -	-	45	52	-7	-20

OVER ALL RECORDS FOR POOL 6DIIP1

Team	Code MATCH'S GAMES POINTS		
		Won	Lost	Tie	Pctg	Won	Lost	Pctg	For	Against	Pctg
PTVBC 16-GREEN		3	0		100.00%	6	1	85.71%	156	107	59.32%
IEVBC 16-GOLD		1	2		33.33%	2	5	28.57%	118	141	45.56%
IEVBC 16-SILVER		2	1		66.67%	5	2	71.43%	152	125	54.87%
ESVBC 16-YELLOW		0	3		0.00%	1	6	14.29%	102	155	39.69%

..... MATCH'S		Game 1		Game 2		Game 3		Offense	Defense	Diff +/-	Diff Tot.
PTVBC 16-GREEN	X IEVBC 16-GOLD	25	- 12	, 25	- 20	, -	-	50	32	18	
PTVBC 16-GREEN	X IEVBC 16-SILVER	16	- 25	, 25	- 16	, 15	- 11	56	52	4	
PTVBC 16-GREEN	X ESVBC 16-YELLOW	25	- 10	, 25	- 13	, -	-	50	23	27	49
IEVBC 16-GOLD	X PTVBC 16-GREEN	12	- 25	, 20	- 25	, -	-	32	50	-18	
IEVBC 16-GOLD	X IEVBC 16-SILVER	10	- 25	, 21	- 25	, -	-	31	50	-19	
IEVBC 16-GOLD	X ESVBC 16-YELLOW	25	- 11	, 15	- 25	, 15	- 5	55	41	14	-23
IEVBC 16-SILVER	X PTVBC 16-GREEN	25	- 16	, 16	- 25	, 11	- 15	52	56	-4	
IEVBC 16-SILVER	X IEVBC 16-GOLD	25	- 10	, 25	- 21	, -	-	50	31	19	
IEVBC 16-SILVER	X ESVBC 16-YELLOW	25	- 19	, 25	- 19	, -	-	50	38	12	27
ESVBC 16-YELLOW	X PTVBC 16-GREEN	10	- 25	, 13	- 25	, -	-	23	50	-27	
ESVBC 16-YELLOW	X IEVBC 16-GOLD	11	- 25	, 25	- 15	, 5	- 15	41	55	-14	
ESVBC 16-YELLOW	X IEVBC 16-SILVER	19	- 25	, 19	- 25	, -	-	38	50	-12	-53

OVER ALL RECORDS FOR POOL 6DIIP2

Team	Code MATCH'S GAMES POINTS		
		Won	Lost	Tie	Pctg	Won	Lost	Pctg	For	Against	Pctg
IEVBC 15-BLUE		2	1		66.67%	5	2	71.43%	159	123	56.38%
ESVBC 16-ROYAL		1	2		33.33%	2	4	33.33%	123	135	47.67%
PTVBC 15-YELLOW		3	0		100.00%	6	1	85.71%	156	116	57.35%
IEVBC 15-MAROON		0	3		0.00%	0	6	0.00%	86	150	36.44%

..... MATCH'S		Game 1		Game 2		Game 3		Offense	Defense	Diff +/-	Diff Tot.
IEVBC 15-BLUE	X ESVBC 16-ROYAL	25	- 21	, 25	- 17	, -	-	50	38	12	
IEVBC 15-BLUE	X PTVBC 15-YELLOW	25	- 15	, 24	- 26	, 10	- 15	59	56	3	
IEVBC 15-BLUE	X IEVBC 15-MAROON	25	- 12	, 25	- 17	, -	-	50	29	21	36
ESVBC 16-ROYAL	X IEVBC 15-BLUE	21	- 25	, 17	- 25	, -	-	38	50	-12	
ESVBC 16-ROYAL	X PTVBC 15-YELLOW	22	- 25	, 13	- 25	, -	-	35	50	-15	
ESVBC 16-ROYAL	X IEVBC 15-MAROON	25	- 22	, 25	- 13	, -	-	50	35	15	-12
PTVBC 15-YELLOW	X IEVBC 15-BLUE	15	- 25	, 26	- 24	, 15	- 10	56	59	-3	
PTVBC 15-YELLOW	X ESVBC 16-ROYAL	25	- 22	, 25	- 13	, -	-	50	35	15	
PTVBC 15-YELLOW	X IEVBC 15-MAROON	25	- 17	, 25	- 5	, -	-	50	22	28	40
IEVBC 15-MAROON	X IEVBC 15-BLUE	12	- 25	, 17	- 25	, -	-	29	50	-21	
IEVBC 15-MAROON	X ESVBC 16-ROYAL	22	- 25	, 13	- 25	, -	-	35	50	-15	
IEVBC 15-MAROON	X PTVBC 15-YELLOW	17	- 25	, 5	- 25	, -	-	22	50	-28	-64

OVER ALL RECORDS FOR POOL 6DIIP3

Team	Code MATCH'S GAMES POINTS		
		Won	Lost	Tie	Pctg	Won	Lost	Pctg	For	Against	Pctg
IEVBC 16-MAROON		3	0		100.00%	6	0	100.00%	153	113	57.52%
PTVBC 16-YELLOW		2	1		66.67%	4	2	66.67%	151	111	57.63%
BRIMFIELD 16		0	3		0.00%	0	6	0.00%	103	150	40.71%
PTVBC 15-WHITE		1	2		33.33%	2	4	33.33%	110	139	44.18%

..... MATCH'S		Game 1		Game 2		Game 3		Offense	Defense	Diff +/-	Diff Tot.
IEVBC 16-MAROON	X PTVBC 16-YELLOW	27	- 25	, 26	- 24	, -	-	53	49	4	
IEVBC 16-MAROON	X BRIMFIELD 16	25	- 12	, 25	- 20	, -	-	50	32	18	
IEVBC 16-MAROON	X PTVBC 15-WHITE	25	- 23	, 25	- 9	, -	-	50	32	18	40
PTVBC 16-YELLOW	X IEVBC 16-MAROON	27	- 25	, 24	- 26	, -	-	51	51	0	
PTVBC 16-YELLOW	X BRIMFIELD 16	25	- 17	, 25	- 15	, -	-	50	32	18	
PTVBC 16-YELLOW	X PTVBC 15-WHITE	25	- 13	, 25	- 15	, -	-	50	28	22	40
BRIMFIELD 16	X IEVBC 16-MAROON	12	- 25	, 20	- 25	, -	-	32	50	-18	
BRIMFIELD 16	X PTVBC 16-YELLOW	17	- 25	, 15	- 25	, -	-	32	50	-18	
BRIMFIELD 16	X PTVBC 15-WHITE	16	- 25	, 23	- 25	, -	-	39	50	-11	-47
PTVBC 15-WHITE	X IEVBC 16-MAROON	23	- 25	, 9	- 25	, -	-	32	50	-18	
PTVBC 15-WHITE	X PTVBC 16-YELLOW	13	- 25	, 15	- 25	, -	-	28	50	-22	
PTVBC 15-WHITE	X BRIMFIELD 16	25	- 16	, 25	- 23	, -	-	50	39	11	-29

OVER ALL RECORDS FOR POOL 6DIIP4

Team	Code MATCH'S GAMES POINTS		
		Won	Lost	Tie	Pctg	Won	Lost	Pctg	For	Against	Pctg
PTVBC 15-GREEN		1	2		33.33%	2	4	33.33%	126	135	48.28%
ESVBC 16-BLACK		2	1		66.67%	5	2	71.43%	162	129	55.67%
ESVBC 16-GREEN		3	0		100.00%	6	1	85.71%	160	126	55.94%
IEVBC 15-GOLD		0	3		0.00%	0	6	0.00%	93	151	38.11%

..... MATCH'S		Game 1		Game 2		Game 3		Offense	Defense	Diff +/-	Diff Tot.
PTVBC 15-GREEN	X ESVBC 16-BLACK	18	- 25	, 20	- 25	, -	-	38	50	-12	
PTVBC 15-GREEN	X ESVBC 16-GREEN	17	- 25	, 20	- 25	, -	-	37	50	-13	
PTVBC 15-GREEN	X IEVBC 15-GOLD	26	- 24	, 25	- 11	, -	-	51	35	16	-9
ESVBC 16-BLACK	X PTVBC 15-GREEN	25	- 18	, 25	- 20	, -	-	50	38	12	
ESVBC 16-BLACK	X ESVBC 16-GREEN	27	- 29	, 25	- 16	, 10	- 15	62	60	2	
ESVBC 16-BLACK	X IEVBC 15-GOLD	25	- 17	, 25	- 14	, -	-	50	31	19	33
ESVBC 16-GREEN	X PTVBC 15-GREEN	25	- 17	, 25	- 20	, -	-	50	37	13	
ESVBC 16-GREEN	X ESVBC 16-BLACK	29	- 27	, 16	- 25	, 15	- 10	60	62	-2	
ESVBC 16-GREEN	X IEVBC 15-GOLD	25	- 19	, 25	- 8	, -	-	50	27	23	34
IEVBC 15-GOLD	X PTVBC 15-GREEN	24	- 26	, 11	- 25	, -	-	35	51	-16	
IEVBC 15-GOLD	X ESVBC 16-BLACK	17	- 25	, 14	- 25	, -	-	31	50	-19	
IEVBC 15-GOLD	X ESVBC 16-GREEN	19	- 25	, 8	- 25	, -	-	27	50	-23	-58

OVER ALL RECORDS FOR POOL 8DIIP1

Team	Code	MATCH'S				GAMES			POINTS		
		Won	Lost	Tie	Pctg	Won	Lost	Pctg	For	Against	Pctg
PTVBC 18-GREEN		3	0		100.00%	6	0	100.00%	150	97	60.73%
IEVBC 18-GOLD		2	1		66.67%	4	2	66.67%	139	112	55.38%
ESVBC 18-BLACK		1	2		33.33%	2	4	33.33%	116	136	46.03%
SANDBURG 18		0	3		0.00%	0	6	0.00%	90	150	37.50%

Team	Code	MATCH'S				GAMES			POINTS				
		Won	Lost	Tie	Pctg	Won	Lost	Pctg	For	Against	Pctg		
PTVBC 18-GREEN	X IEVBC 18-GOLD	25	-	19	,	25	-	20	,	-			
PTVBC 18-GREEN	X ESVBC 18-BLACK	25	-	22	,	25	-	11	,	-			
PTVBC 18-GREEN	X SANDBURG 18	25	-	11	,	25	-	14	,	-			53
IEVBC 18-GOLD	X PTVBC 18-GREEN	19	-	25	,	20	-	25	,	-			
IEVBC 18-GOLD	X ESVBC 18-BLACK	25	-	17	,	25	-	16	,	-			
IEVBC 18-GOLD	X SANDBURG 18	25	-	17	,	25	-	12	,	-			27
ESVBC 18-BLACK	X PTVBC 18-GREEN	22	-	25	,	11	-	25	,	-			
ESVBC 18-BLACK	X IEVBC 18-GOLD	17	-	25	,	16	-	25	,	-			
ESVBC 18-BLACK	X SANDBURG 18	25	-	15	,	25	-	21	,	-			-20
SANDBURG 18	X PTVBC 18-GREEN	11	-	25	,	14	-	25	,	-			
SANDBURG 18	X IEVBC 18-GOLD	17	-	25	,	12	-	25	,	-			
SANDBURG 18	X ESVBC 18-BLACK	15	-	25	,	21	-	25	,	-			-60

OVER ALL RECORDS FOR POOL 8DIIP2

Team	Code	MATCH'S				GAMES			POINTS		
		Won	Lost	Tie	Pctg	Won	Lost	Pctg	For	Against	Pctg
ESVBC 18-SILVER		0	2		0.00%	1	4	20.00%	77	112	40.74%
PTVBC 18-WHITE		1	1		50.00%	3	3	50.00%	111	112	49.78%
IEVBC 18-MAROON		2	0		100.00%	4	1	80.00%	110	74	59.78%

Team	Code	MATCH'S				GAMES			POINTS				
		Won	Lost	Tie	Pctg	Won	Lost	Pctg	For	Against	Pctg		
ESVBC 18-SILVER	X PTVBC 18-WHITE	25	-	22	,	15	-	25	,	12	-	15	
ESVBC 18-SILVER	X IEVBC 18-MAROON	10	-	25	,	15	-	25	,				-35
PTVBC 18-WHITE	X ESVBC 18-SILVER	22	-	25	,	25	-	15	,	15	-	12	
PTVBC 18-WHITE	X IEVBC 18-MAROON	25	-	20	,	13	-	25	,	11	-	15	
IEVBC 18-MAROON	X ESVBC 18-SILVER	25	-	10	,	25	-	15	,				
IEVBC 18-MAROON	X PTVBC 18-WHITE	20	-	25	,	25	-	13	,	15	-	11	

OVER ALL RECORDS FOR POOL 8DIIP3

Team	Code	MATCH'S				GAMES			POINTS		
		Won	Lost	Tie	Pctg	Won	Lost	Pctg	For	Against	Pctg
PTVBC 18-YELLOW		1	1		50.00%	2	2	50.00%	91	81	52.91%
ESVBC 18-ORANGE		1	1		50.00%	2	3	40.00%	95	109	46.57%
HARTEM 17		1	1		50.00%	3	2	60.00%	110	96	53.40%

Team	Code	MATCH'S				GAMES			POINTS				
		Won	Lost	Tie	Pctg	Won	Lost	Pctg	For	Against	Pctg		
PTVBC 18-YELLOW	X ESVBC 18-ORANGE	25	-	16	,	25	-	14	,	-			
PTVBC 18-YELLOW	X HARTEM 17	24	-	26	,	17	-	25	,	-			10
ESVBC 18-ORANGE	X PTVBC 18-YELLOW	16	-	25	,	14	-	25	,	-			
ESVBC 18-ORANGE	X HARTEM 17	25	-	19	,	23	-	25	,	17	-	15	
HARTEM 17	X PTVBC 18-YELLOW	26	-	24	,	25	-	17	,	-			
HARTEM 17	X ESVBC 18-ORANGE	19	-	25	,	25	-	13	,	15	-	17	

18U Division II Challenge Crossover Matches

Challenge Crossover 1

IEVBC 18 Maroon 8D2CRS1 - 12:00 pm IE Center Ct. 3 Hartem 17	25-21, 25-19 IEVBC 18-Maroon
--	---------------------------------

ref 8D2CRS1 = ESVBC 18-Silver

Challenge Crossover 2

PTVBC 18-White 8D2CRS2 - 12:00 pm IE Center Ct. 5 PTVBC 18-Yellow	25-14, 25-13 PTVBC 18-Yellow
---	---------------------------------

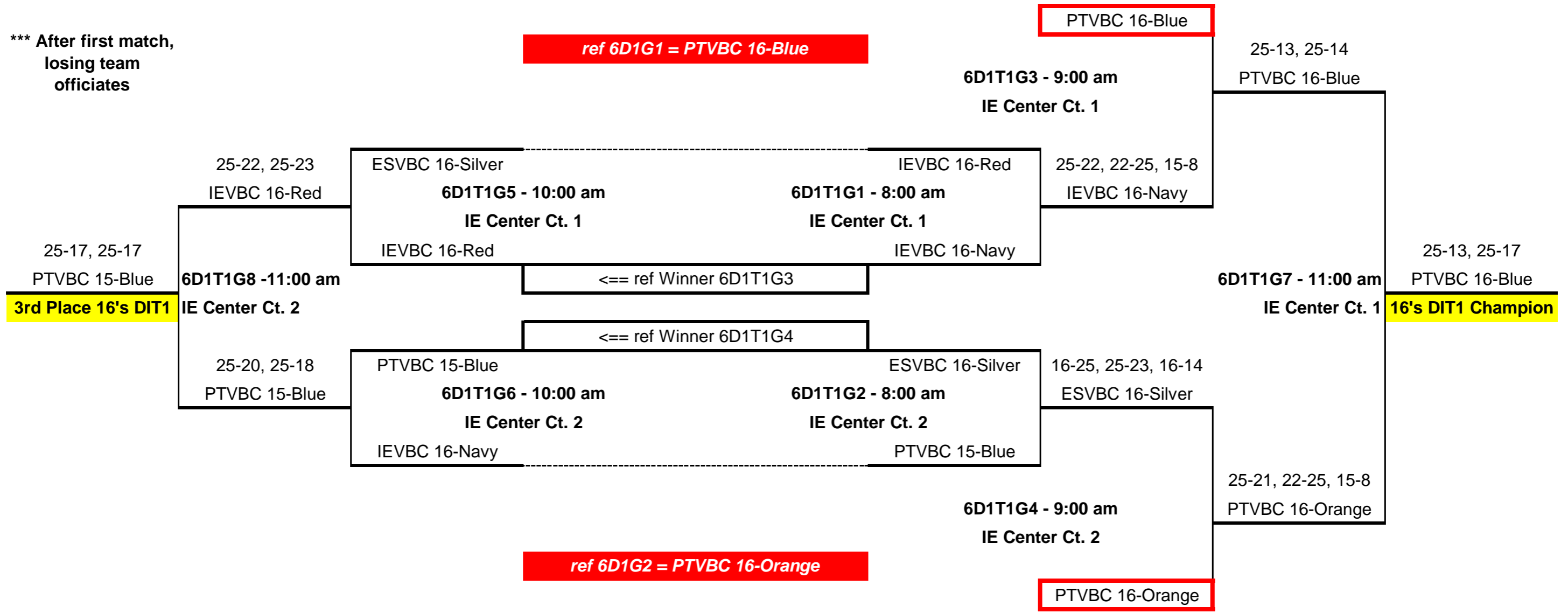
ref 8D2CRS2 = ESVBC 18-Orange

Challenge Crossover 3

ESVBC 18-Silver 8D2CRS2 - 1:00 pm IE Center Ct. 2 ESVBC 18-Orange	25-19, 25-17 ESVBC 18-Orange
---	---------------------------------

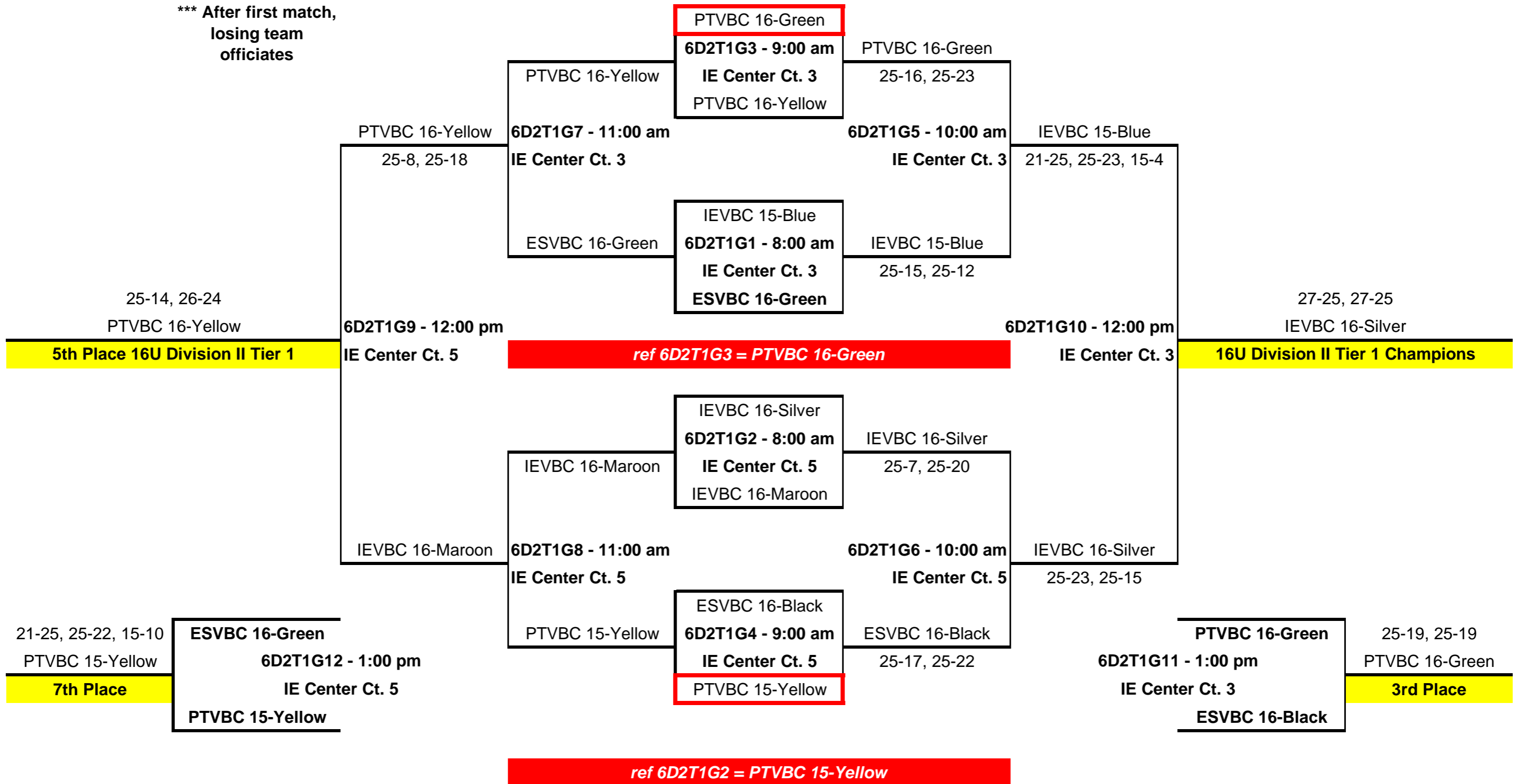
ref 8D2CRS3 = PTVBC 18-White

Playoff Bracket for Girls 16U Division I Tier 1 - Illini Elite Training Center

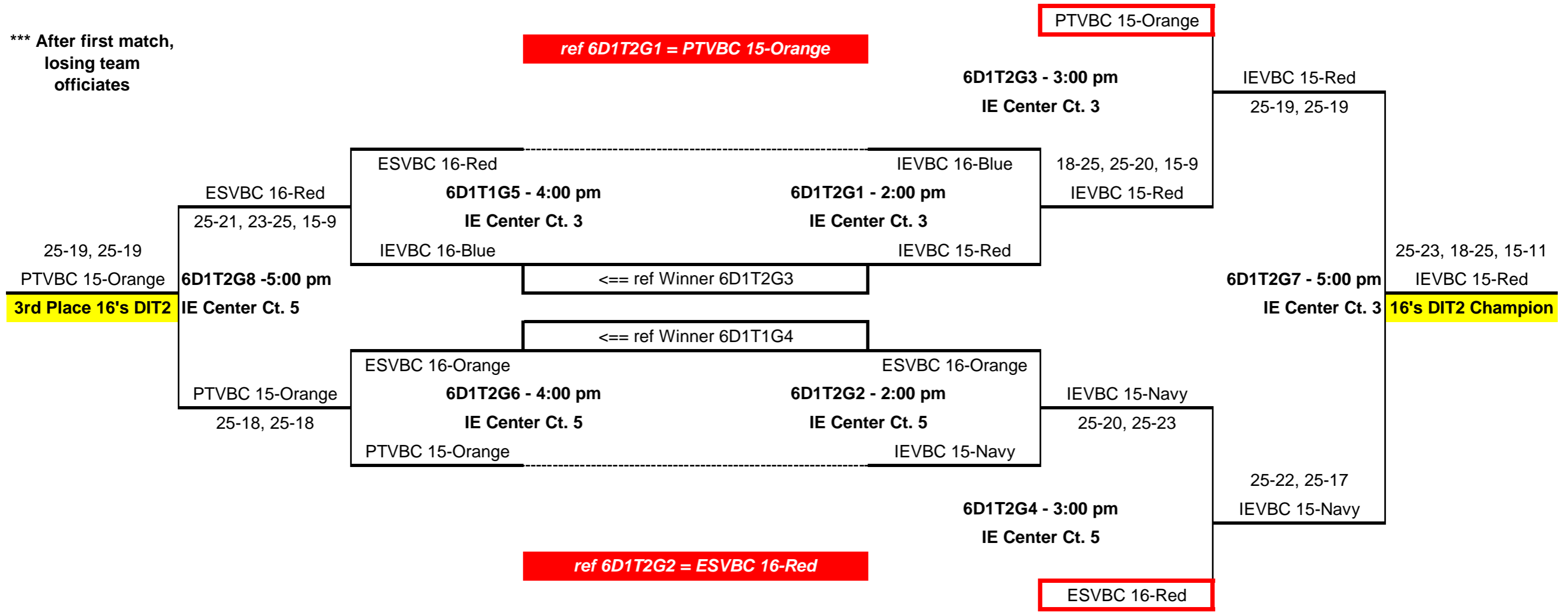


Playoff Bracket for Girls 16U Division II Tier 1 - Illini Elite Training Center

*** After first match,
losing team
officialates



Playoff Bracket for Girls 16U Division I Tier 2 - Illini Elite Training Center



Playoff Bracket for Girls 16U Division II Tier 2 - Illini Elite Training Center

*** After first match,
losing team
officialates

